

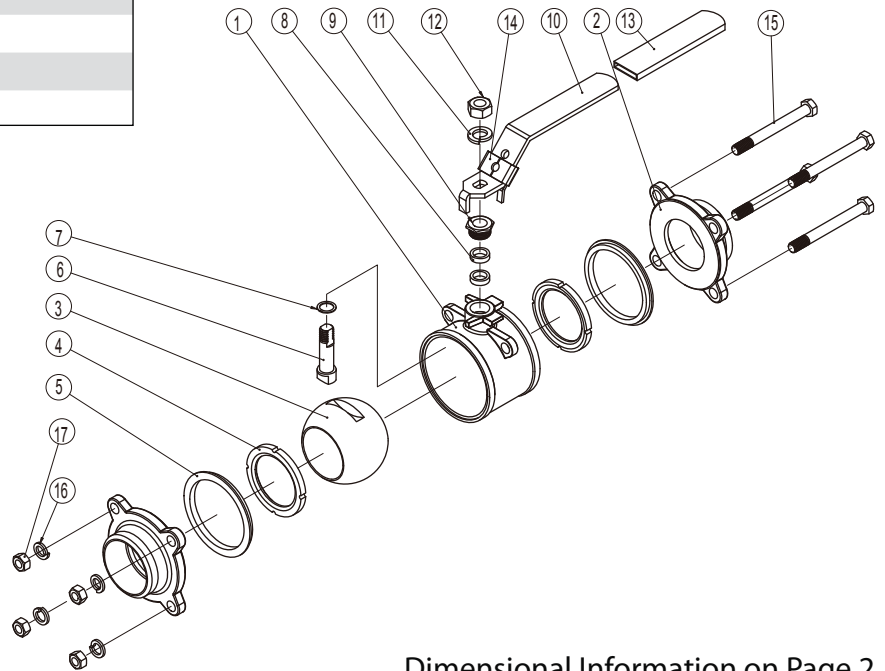
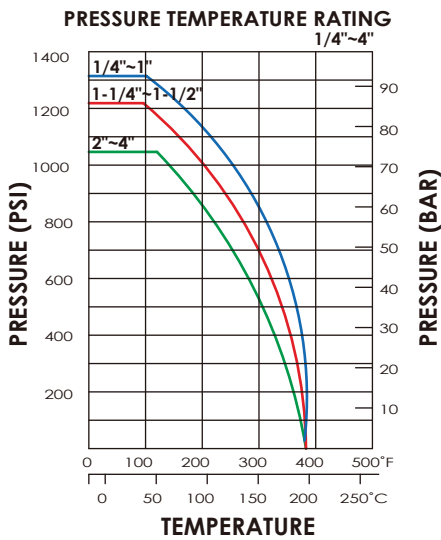
**DH6300**  
**DH6304** **Stainless Steel Ball Valve – Three-Piece - BSPP / Socket Weld**

Screwed BSPP, Full Bore, Stainless Steel Body, Ball & Stem, PTFE Seats & Seal, Anti-blowout Stem, Locking Device



Pressure/Temperature Ratings	
Pressure	PN63 Rated
Temperature	-10°C to 180°C

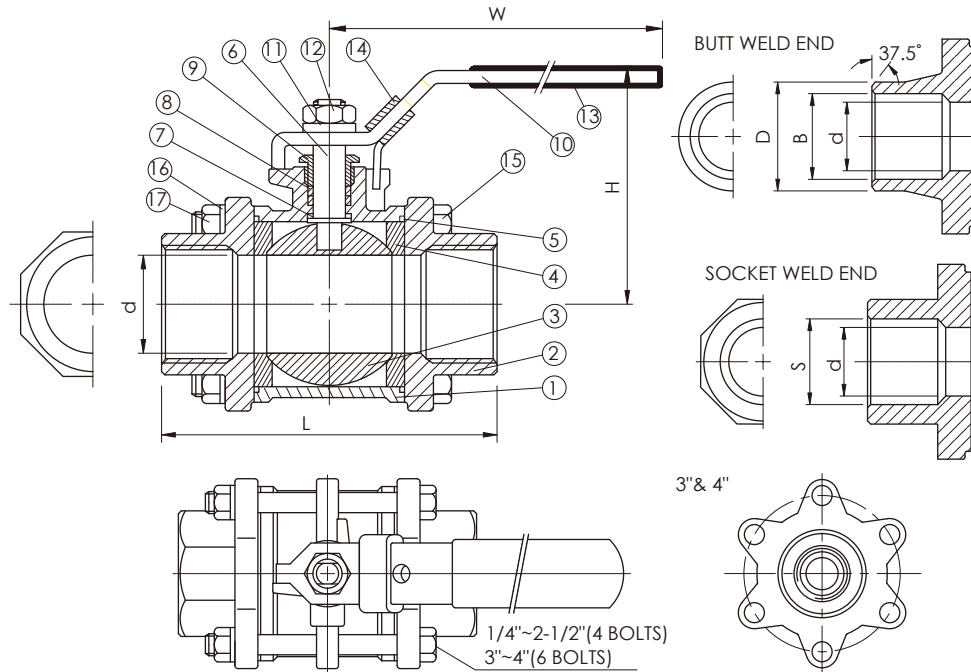
Material List		
No#	Part	Material
1	Body	Stainless Steel ASTM-A351-CF8M
2	Cap	Stainless Steel ASTM-A351-CF8M
3	Ball	Stainless Steel ASTM-A351-CF8M
4	Ball Seat	PTFE
5	Joint Gasket	PTFE
6	Stem	Stainless Steel AISI 316
7	Thrust Washer	PTFE
8	Stem Packing	PTFE
9	Gland Nut	Stainless Steel AISI 304
10	Handle	Stainless Steel AISI 304
11	Stem Washer	Stainless Steel AISI 304
12	Stem Nut	Stainless Steel AISI 304
13	Handle Sleeve	Plastic
14	Lock Device	Stainless Steel AISI 304
15	Bolt	Stainless Steel AISI 304
16	Spring Washer	Stainless Steel AISI 304
17	Hex Nut	Stainless Steel AISI 304



Dimensional Information on Page 2

DH6300  
 DH6304

## Stainless Steel Ball Valve – Three-Piece - BSPP / Socket Weld



Dimensions										
Size	d	L	H	W	B	D	S	Cv	Torque	Kg
1/4"	11.6	54	51	95	12	18	14.1	6.6	40	0.34
3/8"	12.7	54	51	95	12.52	18	17.6	7.9	40	0.34
1/2"	15	61.5	55	95	15.8	22	21.7	11.2	54	0.46
3/4"	20	71	58.5	110	20.93	28	27.2	21	74	0.62
1"	25	83.5	73	135	26.64	34	33.9	34	104	0.96
1 1/4"	32	97	78.5	135	35.05	44	42.6	57	135	1.49
1 1/2"	38	110.5	90.5	165	40.9	50	48.7	80	180	2
2"	50	129	99	165	52.5	61.5	61.1	148	250	3.12
2 1/2"	65	171.5	127	215	69	76	76.9	265	480	6.5
3"	80	200	136	215	82	90	89.8	415	750	10.42
4"	100	252	172	325	106	115	115.4	780	1100	20.2