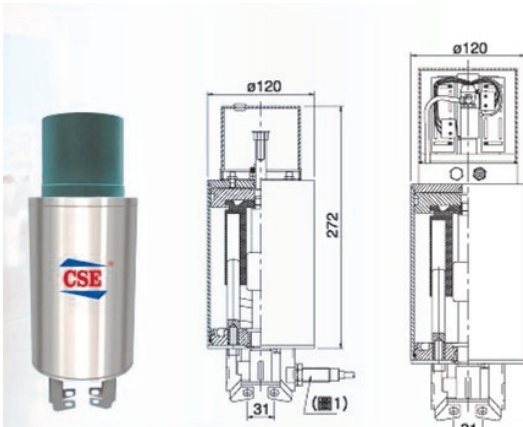


DH Stainless

- Valve Division

Butterfly Valve Actuator C101



C101 Actuator applies to butterfly valve size 4" of the disc head DIA. 12mm X 12mm.

Control Methods;

Signal Transfer

a. Can be connected with M18 or M12 screw proximity switch (PNP or NPN) as (1)

b. With 10-30 VDC proximity switch contact: 1 or 2 pcs (PNP or NPN)

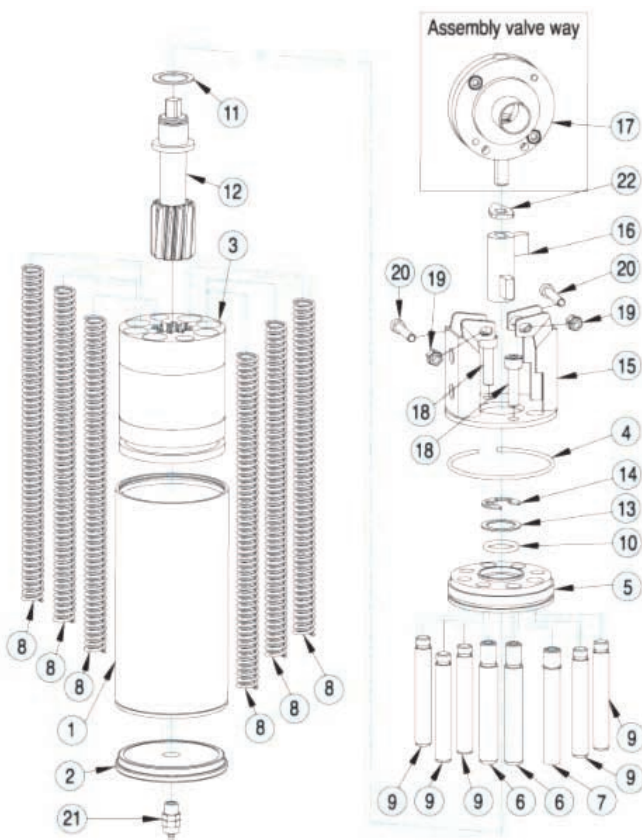
c. Or 3A 125VAC 30 VDC microswitch: 2 pcs

2-2 Individual Control:

Choice (a), (b) or (c) + DC24 3.0W electric valve 1 pc and air manifold (for complete control box).

3. Air/Air (double effect) actuator or air/spring (simple effect) actuator are available.

4. Accessories: adapter: 1pcs; M6 X 40 screw: 2 pcs; washer: 4 pcs; M6 nut: 2pcs; 1/8pt quick coupler



Max. Output torque 20N/m on C3 & C2

Item List			
Item	Item Name	QTY	Material
1	St.St cylinder	1	St.St 304
2	St.St cylinder cap	1	St.St 304
3	Piston	1	Tenac 4010/SH410
4	Lock wire clip	1	St.St 304
5	Lower cylinder end	1	St.St 304
6	Piston guide part	2	St.St 304
7	Piston guide part	1	St.St 304
8	Compress spring	6	St.St 304
9	Piston guide part	5	St.St 304
10	Piston axle O-ring	1	Teflon
11	Teflon gasket	1	Teflon
12	Coupling axel piece	1	St.St 304
13	Contact seal	1	St.St 304
14	Circlip	1	St.St 304
15	Mounting bracket	1	St.St 304
16	Connection Piece	1	St.St 304
17	Assembly valve way	1	St.St 304/316(L)
18	M8 x 12 St.St screw	2	St.St 304
19	M6 Nut	2	St.St 304
20	M6x35 St.St screw	2	St.St 304
21	Air connection	1	Cupper
22	Positioning index	1	St.St 304