

## Double Regulating Valve

Cast Iron Body, Flanged PN16, Variable Orifice, complies to BS 7350,  
 Max Pressure PN16, includes Test Points, Outlet Inlet on Body

- Environment-friendly
- Max working pressure 120°C
- Flanges - EN1092-2
- Face to face length - EN558-1 = 1 (DIN 3202 = F1)



### EN1092-2: 1997

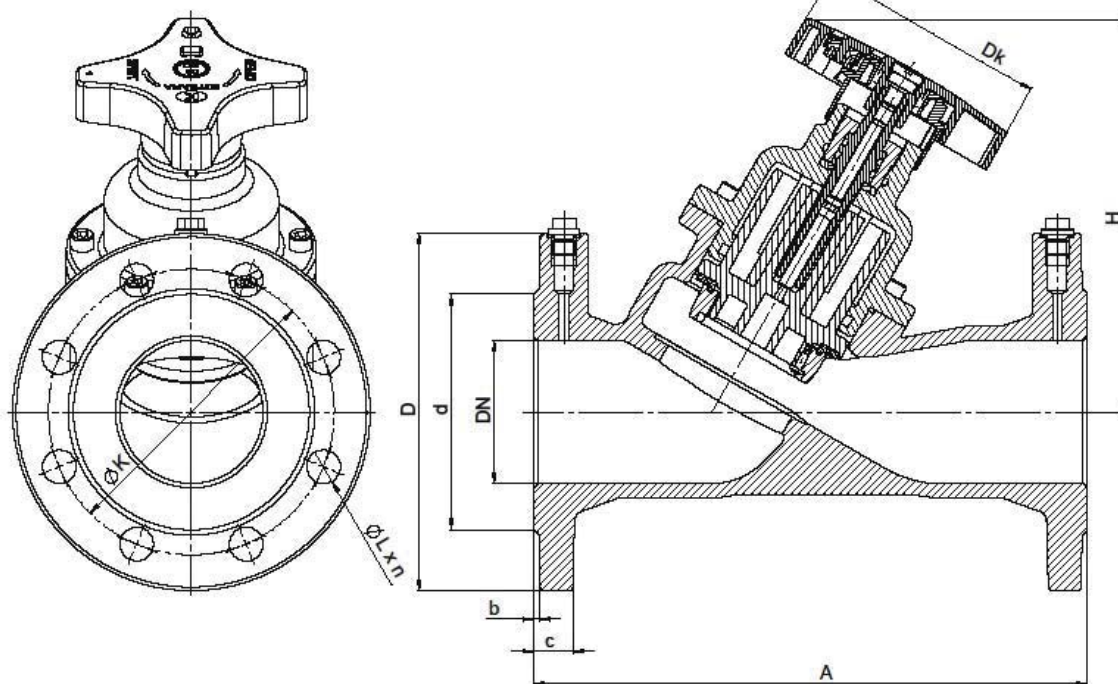
Pressure - Temperature

EN-GJL-250 PN16

°C Bar

-10 16

120 16



### Dimensions

DN	A	D	K	d	b	c	L	n	H	Kvs (m <sup>3</sup> /h)	Kg
65	290	185	145	118	3	20	19	4	300	85.2	12.9
80	310	200	160	132	3	22	19	8	330	113.4	17.8
100	350	220	180	156	3	24	19	8	335	184.7	22.7
125	400	250	210	184	3	26	19	8	355	285.1	34.0
150	480	285	240	211	3	26	23	8	405	390.2	48.5
200	600	340	295	266	3	30	23	12	580	710.0	114.5
250	730	405	355	319	3	32	28	12	655	1187.5	159.0
300	850	460	140	370	4	32	28	12	640	1504.1	210.5