

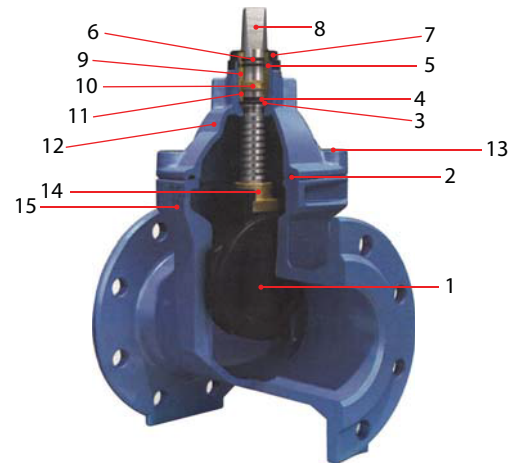
DH 5140

Ductile Iron Gate Valve BS 5163

Flanged PN16, Ductile Iron Body, Epoxy Coated,
 EPDM Covered Resilient Seat, Clockwise Closing,
 Cap Operator

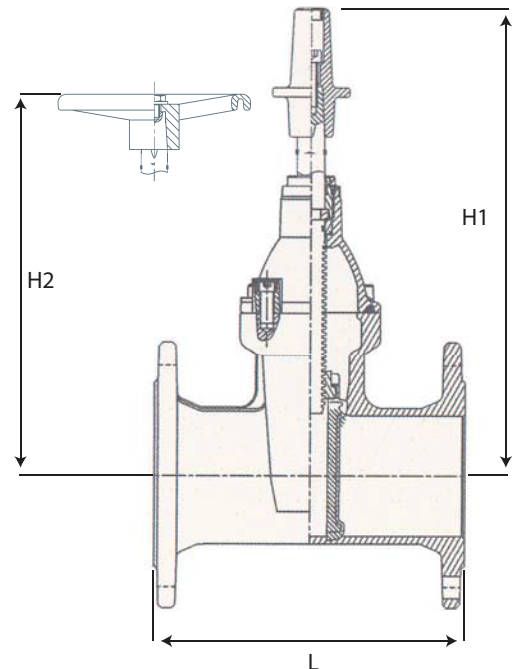
Pressure/Temperature Ratings	
Pressure	16 Bar
Temperature	-10°C to 70°C

Production Hydrostatic Test	
Body	25 Bar
Seat	1.6 Bar (EN 12266-1 Rate A)



Material List		
No.	Part	Material
1	Wedge	EPDM Coated Ductile Iron
2	Bonnet Gasket	EPDM
3	Stem O-ring	EPDM
4	Lower Stem Nut O-ring	EPDM
5	Upper Stem Nut O-ring	EPDM
6	Stem O-rings (x2)	EPDM
7	Dust Guard	EPDM
8	Stem	Rolled Stainless Steel
9	Stem Nut	Dezincification Resistant Copper Alloy
10	Thrust Collar	Dezincification Resistant Copper Alloy
11	O-ring Sleeve	Dezincification Resistant Copper Alloy
12	Bonnet	FBE Coated Ductile Iron
13	Bonnet Fasteners	Stainless Steel / Activated Resin
14	Wedge Nut	Dezincification Resistant Copper Alloy
15	Body	FBE Coated Ductile Iron
16	Stem Cap	FBE Coated Ductile Iron
17	Handwheel	FBE Coated Steel
18	Handwheel / Cap Fastener	Stainless Steel
19	Stem Cap Ingress Seal	EPDM

Specifications								
DN	L	H1	H2	TtC	MOT	MST	AST	Kg
50	178	280	240	5	110	550	36	11.0
65	190	315	266	6	125	625	45	13.0
80	203	340	290	7	140	700	62	15.0
100	229	375	330	9	160	800	71	20.0
150	267	450	405	13	210	1050	92	34.0
200	292	545	500	17	260	1300	131	50.0
250	330	635	590	21	310	1550	186	82.0
300	356	710	670	25	360	1800	192	113.0



KEY
 H1 = Centerline to Standard Cap
 H2 = Centerline to Handwheel
 TtC = Turns to Close
 MOT = Maximum Operating Torque
 MST = Minimum Strength Torque mST + Bending
 AST = Average Sealing Torque