

**DH9912** Lugged & Tapped Butterfly Valve - EPDM Liner



Epoxy Coated Ductile Iron Body, Stainless Steel 316 Disc, EPDM Liner, Locking Lever upto 12", Gearbox Operation Available for All Sizes, ISO 5211 Top Works for Direct Mount of Electric/Pneumatic Actuator, complies with 97/23/CE (PED) Directive CE 1115.

Pressure/Temperature		
Pressure	1½" to 12"	PN16
	14" to 24"	PN10
Temperature	-10°C to 120°C	

Material List	
Body	Epoxy Coated Ductile Iron
Disc	Stainless Steel
Liner	EPDM
Shaft	Stainless Steel
Bushing	PTFE
Washer	Galvanized Carbon Steel
Circlip ISO 3075	Steel
O-Ring	Viton
Lever	Aluminium upto 6" Ductile Iron 8" and above
Bolts	Galvanized Carbon Steel



Operating Torque Figures																	
DP (Bar)	25	32	40	50	65	80	100	125	150	200	250	300	350	400	450	500	600
3	2.9	4.7	7.8	11.3	17	23	33	48	68	120	189	290	298	481	930	1250	2270
6	3.1	5.1	8.4	12	18	25	36	54	78	134	212	316	347	551	980	1350	2500
10	3.3	5.4	8.8	13	20	26	40	61	88	148	234	342	396	396	1200	1500	2700
16	3.4	5.7	9.2	13	21	28	44	68	99	162	257	367	-	-	-	-	-

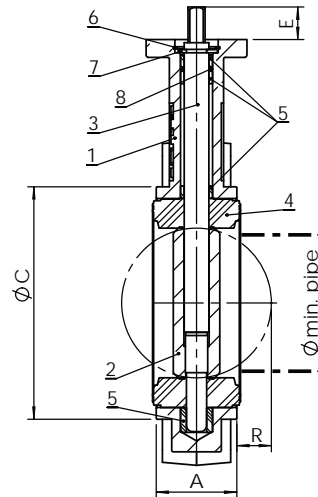
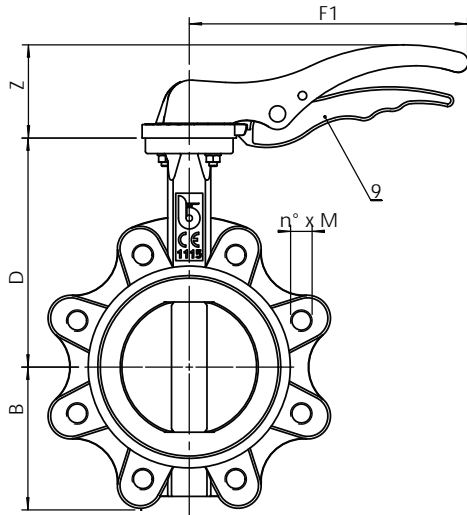
Continued on Page 2

DH9912

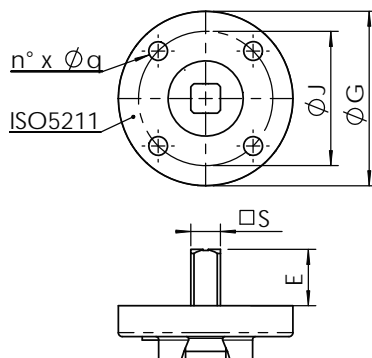
## Lugged & Tapped Butterfly Valve - EPDM Liner



### 1½" to 10" Lever Operated



Dimensions									
Size	A	ØC	D	B	F1	Z	R	Ø min pipe	n° x M
1½"	33	82	116	63	170	50	5	27	4 x M16
2"	43	89	126	62	170	50	5	31	4 x M16
2½"	46	102	136	69	170	50	9	45	4 x M16
3"	46	118	150	90	206	69	17	65	8 x M16
4"	52	150	170	106	206	69	26	90	8 x M16
5"	56	174	180	119	285	90	34	110	8 x M16
6"	56	205	200	131	285	90	50	146	8 x M20
8"	60	260	230	166	400	72	71	194	12 x M20
10"	68	318	266	202	530	72	91	241	12 x M24



Dimensions						
Size	ISO	ØG	ØJ	n° x Øq	S	E
1½"	F05	65	50	4 x 7	9	21
2"	F05	65	50	4 x 7	9	21
2½"	F05	65	50	4 x 7	9	21
3"	F05	65	50	4 x 7	11	21
4"	F05	65	50	4 x 7	11	21
5"	F07	90	70	4 x 9	14	27
6"	F07	90	70	4 x 9	14	27
8"	F10	125	102	4 x 11	17	27
10"	F12	150	125	4 x 13	27	27

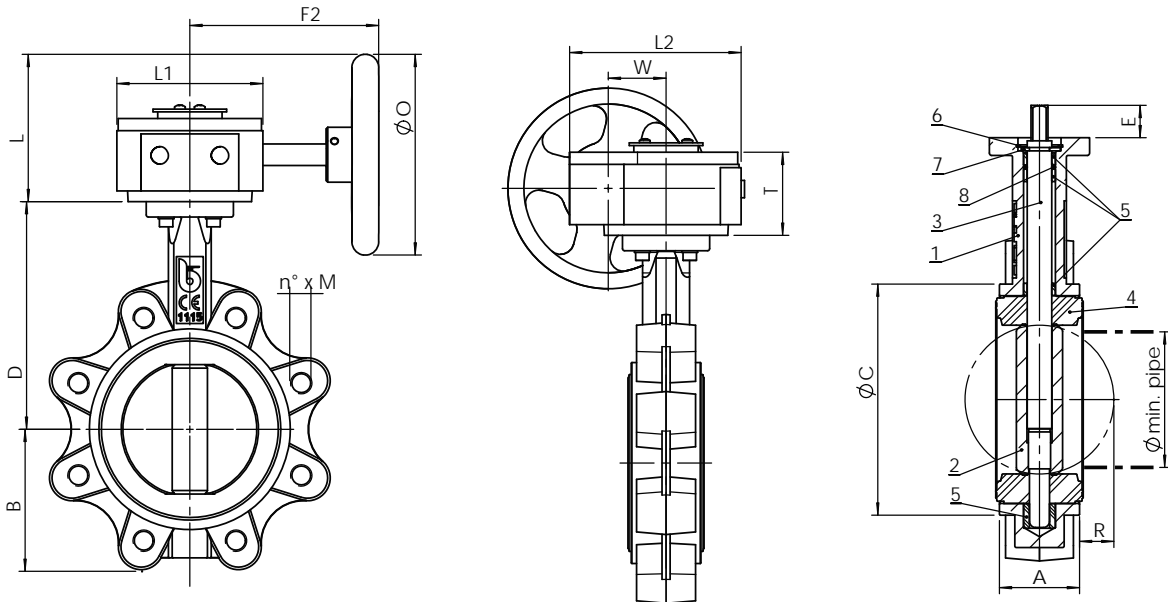
Continued on Page 3

DH9912

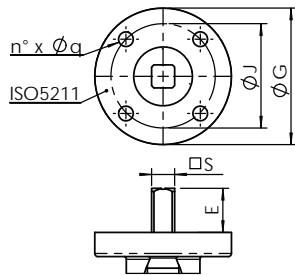
## Lugged & Tapped Butterfly Valve - EPDM Liner



### 1½" to 10" Gearbox Operated



Dimensions														
Size	A	ØC	D	B	F2	L	T	L1	L2	W	ØO	R	Ø min pipe	n° x M
1½"	33	82	116	63	130	102.5	65	110	130	45	150	5	27	4 x M16
2"	43	89	126	62	130	102.5	65	110	130	45	150	5	31	4 x M16
2½"	46	102	136	69	130	102.5	65	110	130	45	150	9	45	4 x M16
3"	46	118	150	90	130	102.5	65	110	130	45	150	17	65	8 x M16
4"	52	150	170	106	130	102.5	65	110	130	45	150	26	90	8 x M16
5"	56	174	180	119	130	102.5	65	110	130	45	150	34	110	8 x M16
6"	56	205	200	131	130	102.5	65	110	130	45	150	50	146	8 x M20
8"	60	260	230	166	235	190	78	155	176	63	300	71	194	12 x M20
10"	68	318	266	202	226	190	80	170	195	81	300	91	241	24 x M20



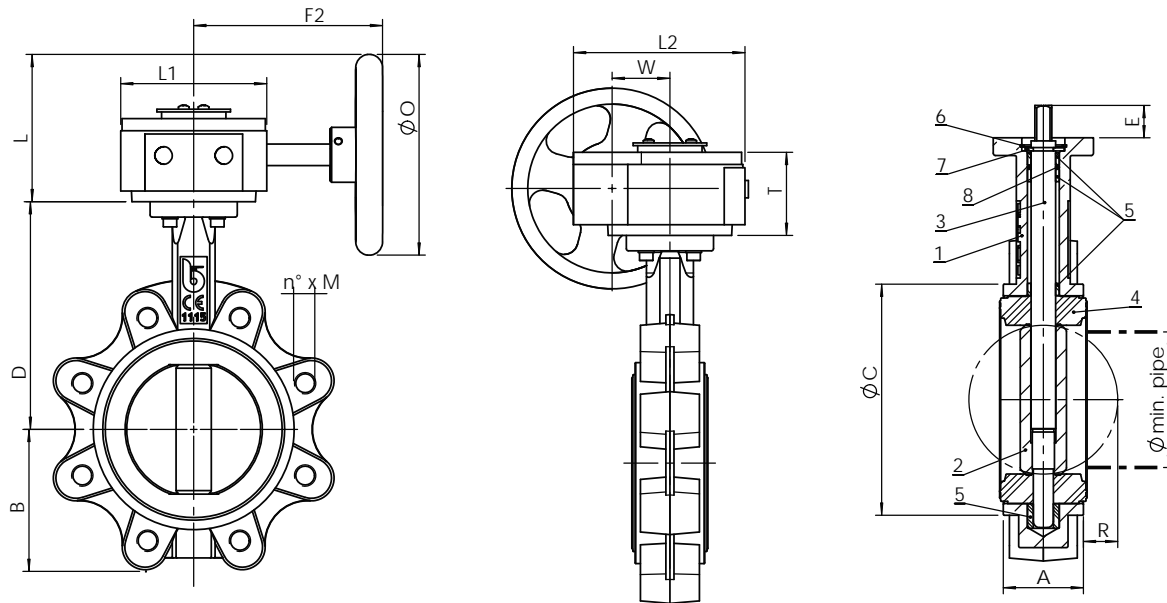
Dimensions						
Size	ISO	ØG	ØJ	n° x Øq	S	E
1½"	F05	65	50	4 x 7	9	21
2"	F05	65	50	4 x 7	9	21
2½"	F05	65	50	4 x 7	9	21
3"	F05	65	50	4 x 7	11	21
4"	F05	65	50	4 x 7	11	21
5"	F07	90	70	4 x 9	14	27
6"	F07	90	70	4 x 9	14	27
8"	F10	125	102	4 x 11	17	27
10"	F12	150	125	4 x 13	27	27

Continued on Page 4

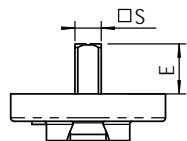
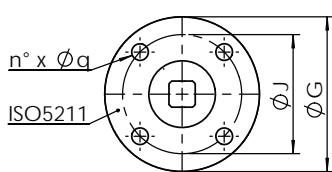
**DH9912** Lugged & Tapped Butterfly Valve - EPDM Liner



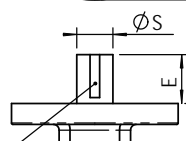
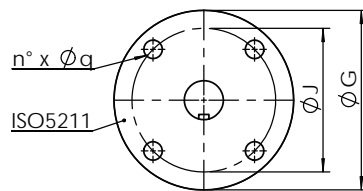
**12" to 24" Gearbox Operated**



Dimensions														
Size	A	ØC	D	B	F2	L	T	L1	L2	W	ØO	R	Ø min pipe	n° x M
12"	78	376	292	235	226	190	80	170	195	81	300	112	291	12 x M24
14"	78	406	335	257	226	183	80	151	188	80	285	128	324	16 x M20
16"	102	471	360	292	226	183	80	151	188	80	285	144	379	16 x M24
18"	114	539	422	318	216	183	80	151	188	80	285	163	428	20 x M24
20"	127	594	480	355	256	311	125	214	275	168	285	182	475	20 x M24
24"	154	695	562	444	285	386	136	262	324	293	385	219	573	20 x M27



DN25-300



DN350-600

Parallel key ISO R773 / DIN6885A

Dimensions							
Size	ISO	ØG	ØJ	n° x Øq	□S	E	ØS
12"	F12	150	125	4 x 13	27	27	
14"	F12	150	125	4 x 13		45	31.6
16"	F14	175	140	4 x 18		51.2	33.15
18"	F14	175	140	4 x 18		51.2	38
20"	F14	175	140	4 x 18		64.2	41.15
24"	F16	210	165	4 x 22		70.2	50.65