

DH6350

## Stainless Steel Ball Valve – Two Piece

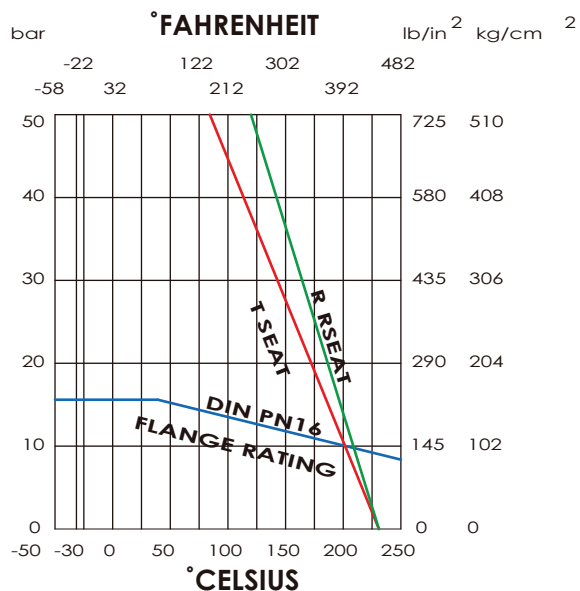
Flanged PN16, Full Bore, Stainless Steel Body, Ball & Stem, PTFE Seats & Seals, Anti-Blowout Stem, Anti-Static Device, Firesafe Design.

### FEATURES:

- Flange: DIN 2633 PN16
- Face to face: DIN3202 F4
- Mounting Pad: ISO 5211
- DN125-300: Round iron handle nickel plated



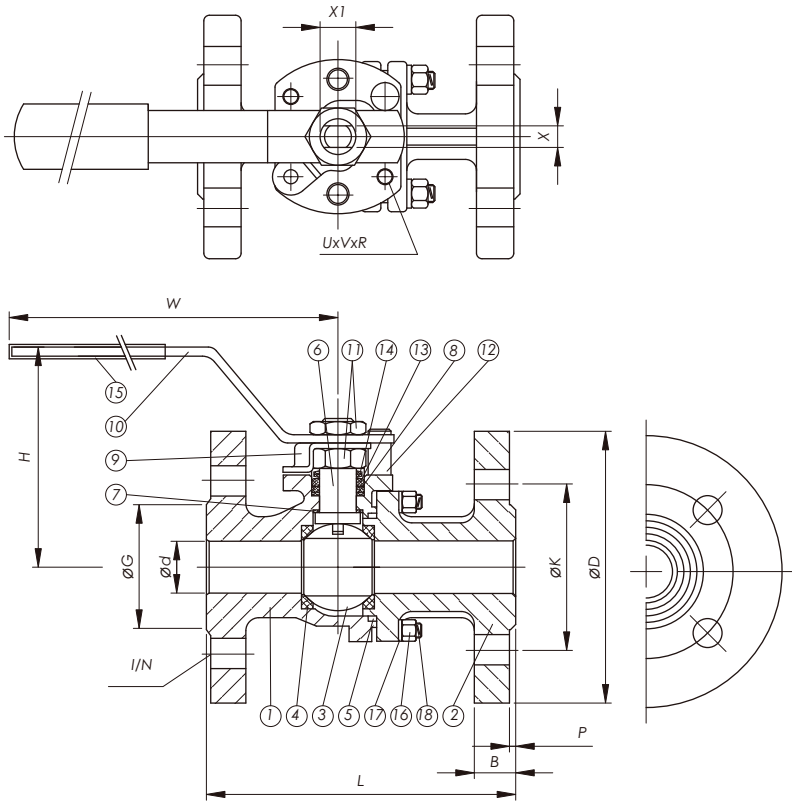
### Pressure Temperature Ratings



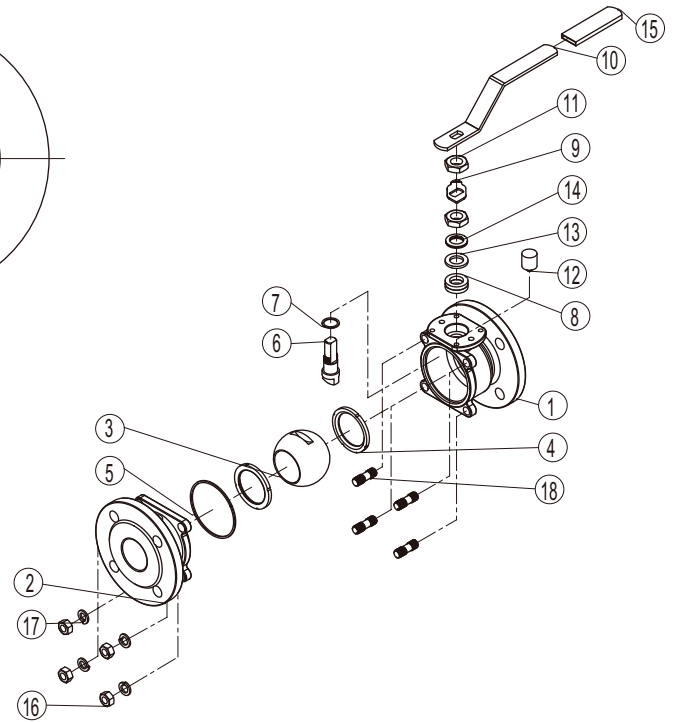
Continued on next page

DH6350

## Stainless Steel Ball Valve – Two Piece



ITEM	PARTS	Q'TY	MATERIALS
1	BODY	1	ASTM-A351-CF8M
2	CAP	1	ASTM-A351-CF8M
3	BALL	1	ASTM-A351-CF8M
4	BALL SEAT	2	PTFE
5	JOINT GASKET	1	PTFE
6	STEM	1	AISI 316
7	THRUST WASHER	1	PTFE
8	STEM PACKING	2	PTFE
9	STOPPER	1	AISI 304(1/2"-4")
10	HANDLE	1	AISI 304
11	HANDLE NUT	2	AISI 304
12	STOP PIN	1	AISI 304
13	STEM RING	1	AISI 304
14	BELLEVILLE WASHER	2	AISI 301
15	HANDLE SLEEVE	1	PLASTIC
16	NUT	1/2"-2"x4pcs	AISI 304
17	SPRING WASHER	2-1/2"-3"x6pcs	AISI 304
18	STUD BOLT	4"x8pcs	AISI 304



### DIMENSIONS

UNIT:mm

NOMINAL SIZE		Ød	ISO 5211 UxVxR	L(DIN3202)		DIN-PN16					H	W	TORQUE kgf-cm
INCH	MM			F4	F5	ØD	ØK	ØG	B	I/N			
1/2"	15	15	4-42xM5xP0.8	115	-	95	65	45	14	14/4	74	170	54
3/4"	20	20	4-42xM5xP0.8	120	-	105	75	58	16	14/4	77	170	78
1"	25	25	4-50xM6xP1.0	125	-	115	85	68	16	14/4	83	170	106
1-1/4"	32	31.8	4-50xM6xP1.0	130	-	140	100	78	16	18/4	88	170	150
1-1/2"	40	38	4-70xM8xP1.25	140	-	150	110	88	16	18/4	123	250	200
2"	50	50.8	4-70xM8xP1.25	150	-	165	125	102	18	18/4	132	250	290
2-1/2"	65	65	4-70xM8xP1.25	170	-	185	145	122	18	18/4	157	320	500
3"	80	80	4-102xM10xP1.5	180	-	200	160	138	20	18/8	166	365	770
4"	100	100	4-102xM10xP1.5	190	-	220	180	158	20	18/8	182	365	1100

\*5"-12" drawing is offered on request