

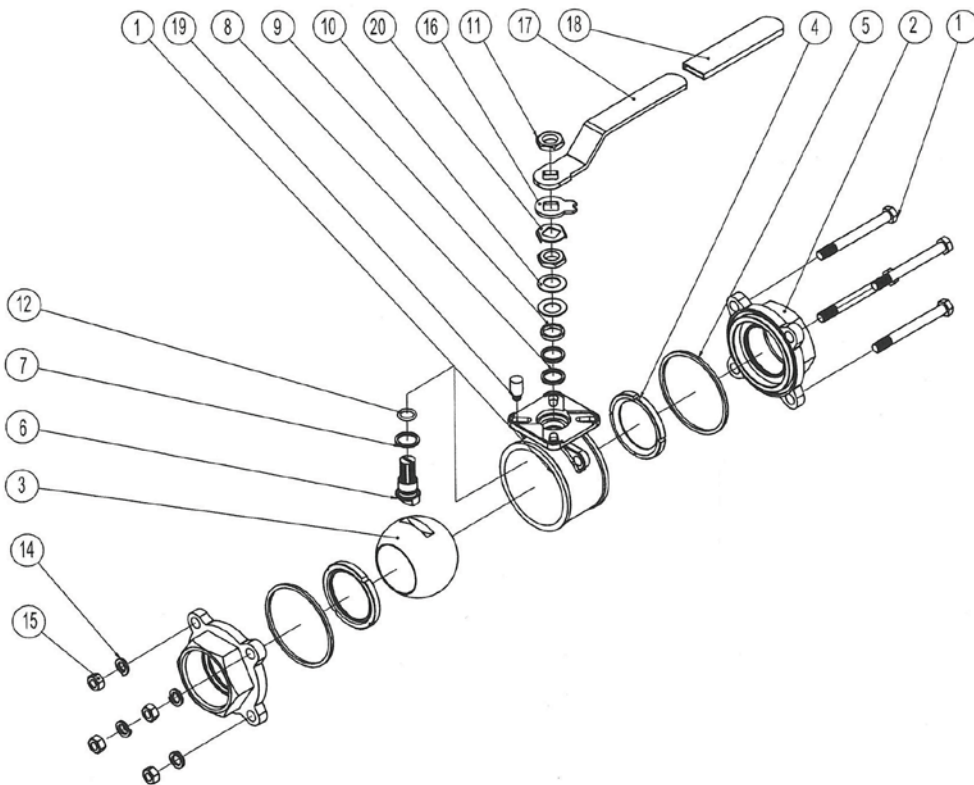
DH 6330 Stainless Steel Ball Valve – Three-Piece - ISO Top

Screwed BSPP, Full Bore, Stainless Steel Body, Ball & Stem, PTFE Seats & Seals, ISO Topworks, Anti-Blowout Stem

Pressure/Temperature	
Pressure	PN63 Rated
Temperature	-10°C to 180°C



Material List			
No.	Parts	Qty.	Materials
1	Body	1	ASTM-A351-CF8M
2	Cap	2	ASTM-A351-CF8M
3	Ball	1	ASTM-A351-CF8M
4	Ball Seat	2	PTFE
5	Joint Gasket	2	PTFE
6	Stem	1	AISI 316
7	Thrust Washer	1	PTFE
8	Stem Packing	2	PTFE
9	High Washer	1	AISI 304
10	Belleville Washer	2	AISI 304
11	Stem Nut	2	AISI 304
12	O-Ring	1	Viton
13	Bolt	4 (2½ ~ 4" x 6 pcs)	AISI 304
14	Spring Washer	4 (2½ ~ 4" x 6 pcs)	AISI 304
15	Hex Nut	4 (2½ ~ 4" x 6 pcs)	AISI 304
16	Stopper	1	AISI 304
17	Handle	1	AISI 304
18	Plastic Cover	1	Plastic
19	Stopper Pin	1	AISI 304
20	Lock Washer	1	AISI 304

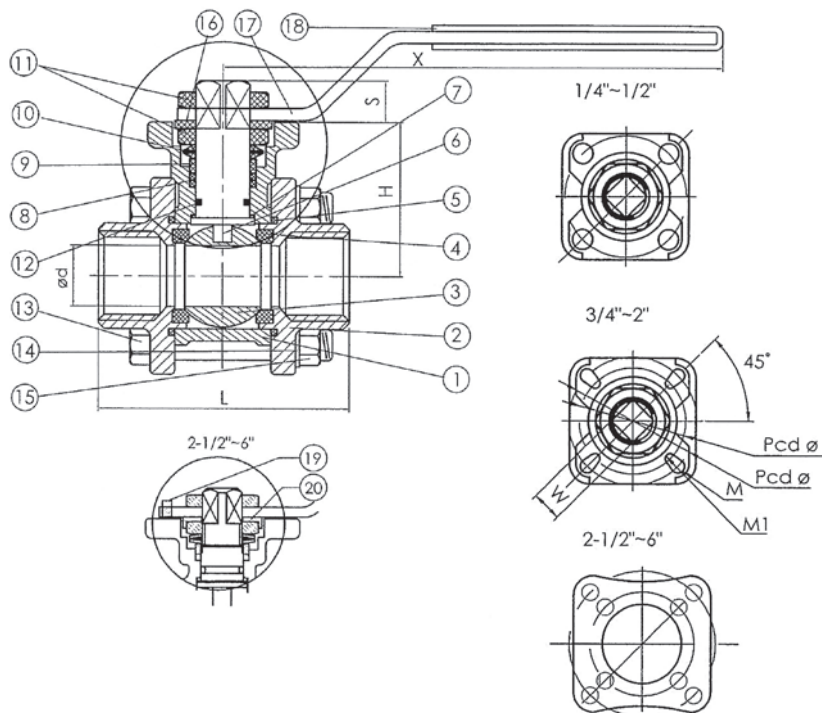


Continued on next page

Stainless Steel Ball Valve - Three-Piece - ISO Top

Dimensions

Size	ød	L	H	S	X	ISO 5211				Cv Factor	Torque kgf-cm	D	d	K	K1
						Pcd ø	W	M	M1						
1/4"	11.6	58.0	36.0	9.6	112	F03	ø36	9	R3.0	-	6.6	45	ø18.1	ø11.6	ø14.1
3/8"	12.8	58.0	36.0	9.6	112	F03	ø36	9	R3.0	-	7.9	45	ø18.1	ø12.7	ø17.6
1/2"	15.0	62.0	38.0	9.6	112	F03	ø36	9	R3.0	-	11.2	55	ø21.7	ø15.0	ø21.7
3/4"	20.0	77.0	41.7	11.6	138	F04 F05	ø42 ø50	11	R3.5	R3.0	21.0	90	ø27.2	ø20.0	ø27.2
1"	25.0	83.0	44.4	11.6	138	F04 F05	ø42 ø50	11	R3.5	R3.0	34.0	110	ø34.0	ø25.0	ø33.9
1 1/4"	32.0	94.0	52.8	11.2	205	F05 F07	ø50 ø70	14	R4.5	R3.5	57.0	155	ø42.7	ø32.0	ø42.6
1 1/2"	38.0	107	58.5	11.2	205	F05 F07	ø50 ø70	14	R4.5	R3.5	80.0	220	ø48.6	ø40.0	ø48.7
2"	50.0	120	66.0	11.2	205	F05 F07	ø50 ø70	14	R4.5	R3.5	148	330	ø60.5	ø50.0	ø61.1
2 1/2"	65.0	157	101.5	18.5	330	F07 F10	ø70 ø102	17	R5.5	ø9.0	265	400	ø76.3	ø65.0	ø73.8 ø70.9
3"	80.0	182	112.5	18.5	330	F07 F10	ø70 ø102	17	R5.5	ø9.0	415	660	ø93.0	ø80.0	ø89.8 ø82.5
4"	100	213.6	127.0	18.5	330	F07 F10	ø70 ø102	17	R5.5	ø9.0	780	900	ø114	ø100	ø115.4 ø108
5"	120	283	158.5	47.0	500	F10 F12	ø102 ø125	27	R7.0	ø12.0	1040	1200	ø139.8	ø125	ø134.7 ø127.2
6"	150	342	175.0	47.0	500	F10 F12	ø102 ø125	27	R7.0	ø12.0	1200	1500	ø165.2	ø150	ø161.5 ø154



Pressure Temperature Ratings

